

PERGOLA ULTRA LIGHT

Discover the *Ultra Light* model, the perfect blend of elegance, durability and affordability. Available in two sizes, this 100% resistant aluminum pergola offers a sleek and modern design to complement any outdoor space. Don't spend another summer without it: create unforgettable memories, protected from the elements. Take advantage of the comfort of a pergola that adapts to you, and not the other way around!



General

10 ft x 10 ft and 13 ft x 10 ft free standing format

2 colors: white and black

Clean & Modern look

Superior quality

100% powder coated aluminium. Rust resistant.

Warranty

5-year limited warranty on structure

Features

- Crank handle louver operation (very easy and fluid)
- Louvers can be angled from 0 to 90 degrees
- Posts can reach a maximum height of 8.3 feet
- The height is definitive at the time of installation
- Integrated gutters
- Water drainage concealed in legs
- Watertight joints
- Designed in Canada
- Made with imported parts from Asia
- Snowload: 150 kg per square meter (30 pounds per square foot). We strongly recommend keeping the louvers open in winter to prevent damage from freezing and thawing.
- Wind resistance: 55 mph

A minimum clearance of 9 inches is required between the bottom of the beam and the top of the louvers for installation.

Shipping Information

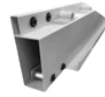
Packed in cardboard boxes

Specifications



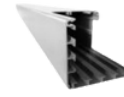
Louvers

5,5 x 1,37 x 0,039 inch
(14 x 3,5 x 0,12 cm)



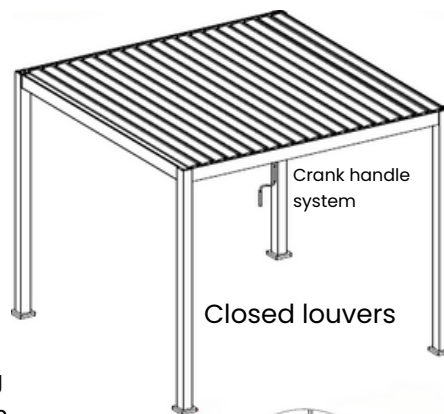
Beams & Gutters

5,1 x 3,5 x 0,05 inch
(13 x 9 x 0,15 cm)

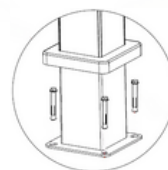


Posts

4 x 4 inch
(10 x 10 cm)

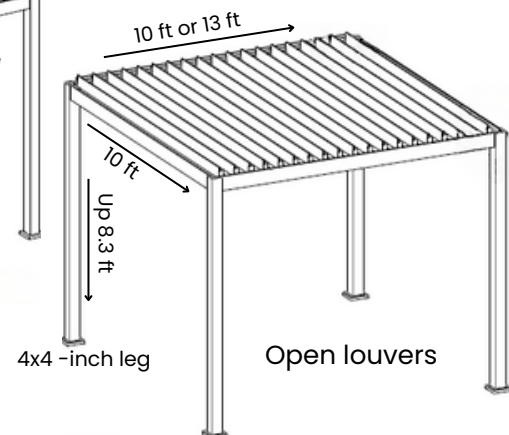


Closed louvers



Ground anchors

Ready to assemble
Turnkey pergola
Cut to size
Worry-free installation



4x4 -inch leg

Open louvers



info@solpergolas.com
www.solpergolas.com/en